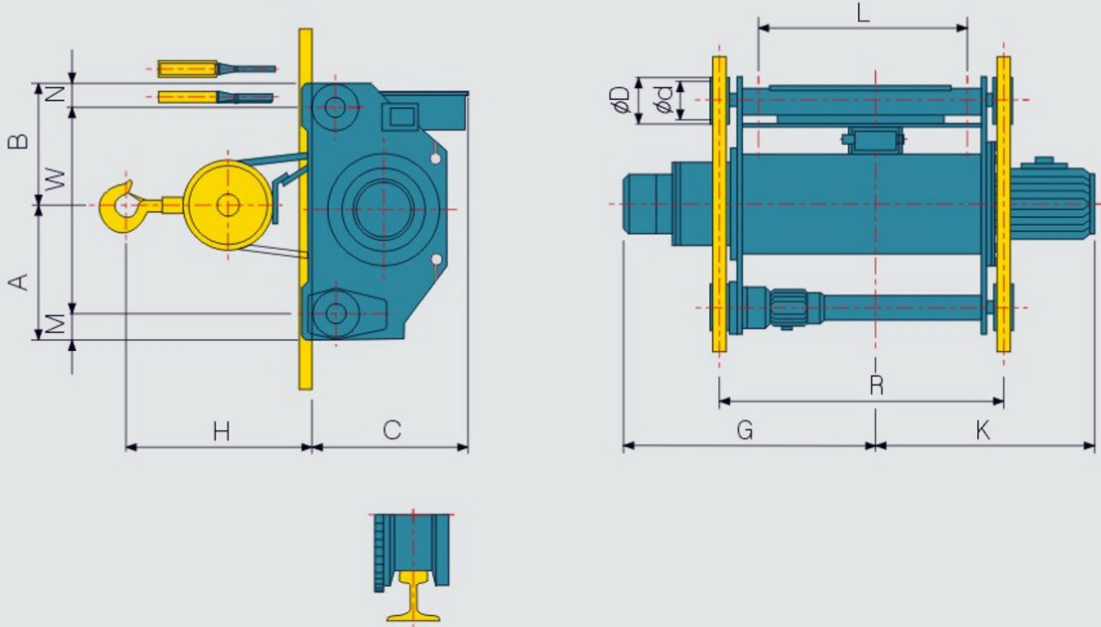


DOUBLE-RAIL TYPE HOIST WITH MOTOR-DRIVEN TROLLEY

WIRE
HOIST



Ordinary Hoist

DAI VIET CRANE & HOIST

DAI VIET CRANE, USC Website: crultrp.us.vn

Tables of Dimensions

Capacity (ton)		2	2.8	3	5	
Model		KDWD 2	KDWD 2.8	KDWD 3	KDWD 5	
Hoisting Lift (m)		12	12	12	12	
Hositing	Speed(m/min)	High speed 50/60(Hz)	8.4/10	7.5/9	7.5/9	4.7/5.6
		Low speed 50/60(Hz)	4.2/5	3.7/4.5	3.7/4.5	3.5/4.2
	Motor(KwXP)	High speed	3.7 X 4	4.8 X 4	5.5 X 4	5.5 X 6
		Low speed	1.8 X 8	2.4 X 8	2.8 X 8	4.2 X 8
Brake		D.C Magnetic Disc Brake				
Traversing	Traversing Speed (m/min)	High speed 50/60(Hz)	20/24	20/24	20/24	20/24
		Low speed 50/60(Hz)	13/16	13/16	13/16	13/16
	Traversing Motor (KwXP)	High speed	0.75 X 4	0.75 X 4	0.75 X 4	0.75 X 4
		Low speed	0.5 X 6	0.5 X 6	0.5 X 6	0.5 X 6
Wire rope DIA(mm) No. Of Falls		8ϕ X 4	9ϕ X 4	9ϕ X 4	12.5ϕ X 4	
Approx. Dimensions(mm)	H	415	420	420	510	
	R	950	950	950	1150	
	A	465	465	465	510	
	B	390	390	390	470	
	C	530	550	550	590	
	G	740	785	785	945	
	K	705	705	705	845	
	W	650	650	650	760	
	L	680	690	690	890	
	M	120	120	120	120	
	N	95	95	95	105	
ϕd	140	140	140	165		
ϕD	170	170	170	195		
RAIL (kg/m)		15	15	15	15	
Approx.Weight(kg)		450	550	550	850	

[정밀수치를 요하는 현장은 당사에 사전 확인바랍니다. If minute dimension is required on the side. It should be informed to us in advance.